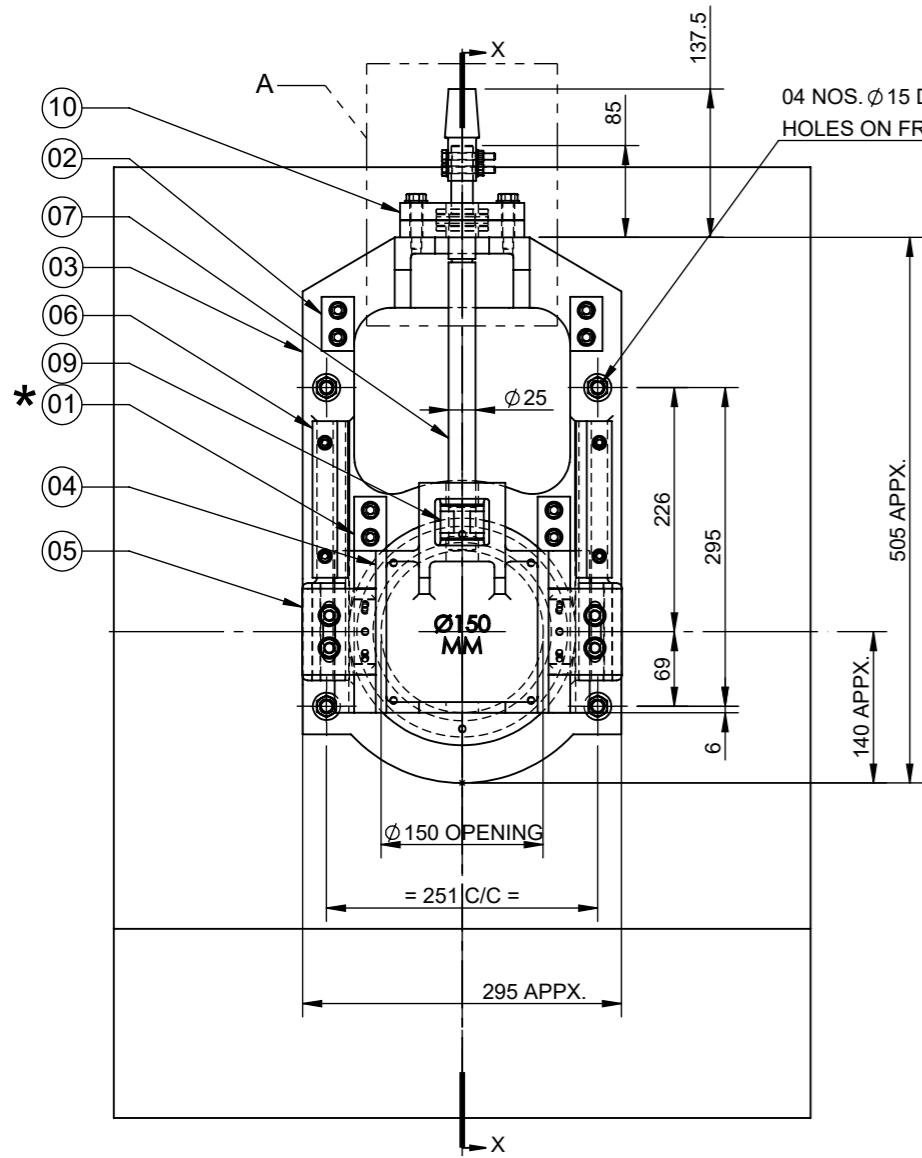
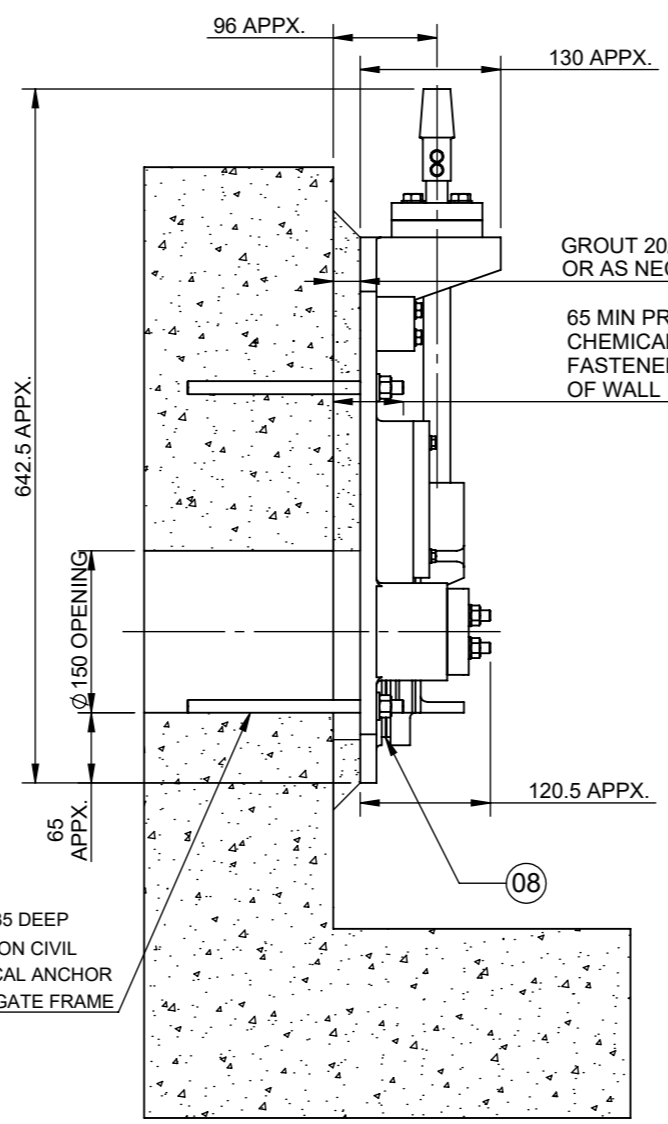


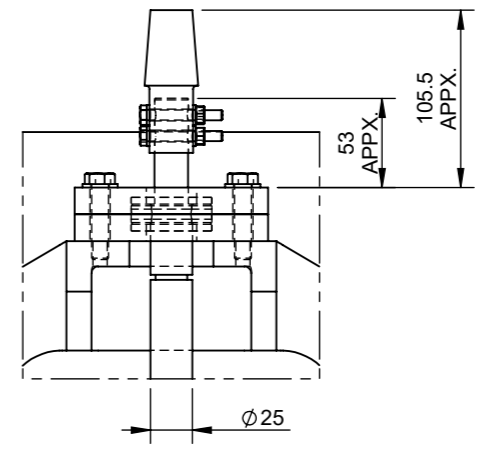
ALL DIMENSIONS IN MM UNLESS OTHERWISE STATED DO NOT SCALE - IF IN DOUBT ASK



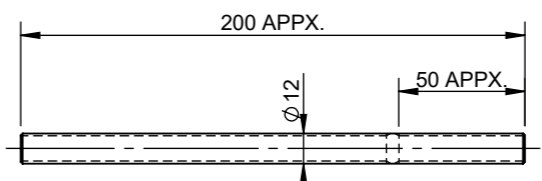
FRONT VIEW OF CAST IRON SLUICE GATE



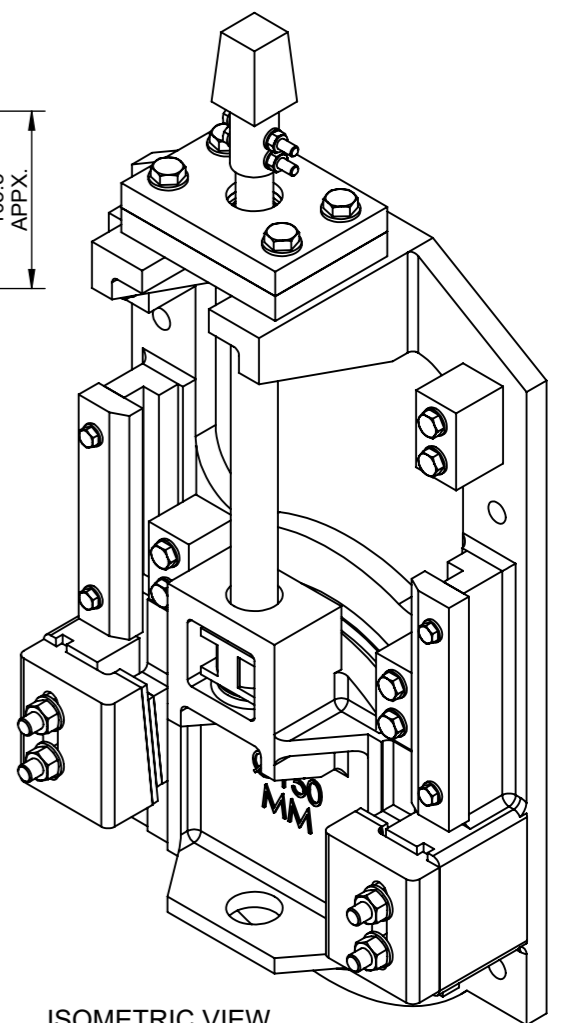
SIDE VIEW WITH CUT SECTION OF WALL



DETAIL A



04 Nos. CHEMICAL ANCHOR FASTENERS FOR FRAME



ISOMETRIC VIEW WITHOUT CIVIL

04 NOS. Ø14 x 135 DEEP DRILLED HOLES ON CIVIL FOR Ø12 CHEMICAL ANCHOR FASTENERS OF GATE FRAME

- NOTES :-
- ALLOWABLE DEVIATION FOR UNTOLERANCED DIMENSIONS OF CASTINGS TO BE AS PER ISO 8062-3.
 - ALLOWABLE DEVIATION FOR DIMENSIONS WITHOUT SPECIFIED TOLERANCES TO BE AS PER ISO:2768.
 - * TRANSIT STOPS (PAINTED IN RED) SHOULD NOT BE REMOVED UNTIL THE GATE IS INSTALLED AND IS TO BE INITIALLY OPERATED.
 - ALL FASTENERS (NUTS, BOLTS & WASHERS) FOR GATE ASSEMBLY & BASE PLATE TO BE OF STAINLESS STEEL BS EN 10088-3 GR.1.4401 (TYPE 316) MATERIAL.
 - PAIN IS SUITABLE FOR DIRTY/SEWAGE WATER APPLICATION. BLACK EPOXY PAINT WITH BLACK SHADE (RAL 9005). TOTAL DRY FILM THICKNESS INCLUSIVE OF PRIMING TO BE 250 MICRONS.

- SEAT FACING TO BE FITTED ON PLAIN SURFACE OF SHUTTER AND FRAME.
- ADHESIVE CAPSULES/CHEMICAL CAPSULES AND CHEMICAL ANCHOR FASTENERS TO BE ARRANGED BY CLIENT.
- APPROX OUTER DIMENSIONS OF GATE ASSEMBLY IS 295(W) x 505 (H) x 130 (T) mm.
- APPROX WEIGHT SINGLE LARGEST COMPONENT IS 32 Kg. FOR SAFE HANDLING.
- # CHEMICAL ANCHOR FASTENERS HOLE LOCATION ON CIVIL WALL TO BE MARKED BY TAKING REFERENCE FROM GATE FRAME.

General Table		
SR. NO	DESCRIPTION	MATERIAL
10	BASE PLATE	MILD STEEL
09	STEM BLOCK/THRUST NUT	PHOSPHORUS BRONZE BS EN 1982 GRADE CUSN11PB2-C (CC482K) (R1)
08	SEAT FACING	
07	STEM	STAINLESS STEEL BS EN 10088-3 GR.1.4401 (TYPE 316)
06	COVER RIB	CAST IRON BS EN 1561 GJL-250
05	SIDE WEDGING DEVICE (PHOSPHORUS BRONZE BS EN 12167 CUSN6-LINED)	
04	SHUTTER	
03	GATE FRAME	HDPE
02	OVER TRAVEL STOPPER	
* 01	TRANSIT STOPS	

WATERFRONT FLUID CONTROLS
 MARITIME HOUSE (SUITE 8),
 143 WOODVILLE ST, GLASGOW, G51 2RQ
 WEB: www.waterfrontfc.co.uk
 TEL: (44) 0141-445-3781
 FAX: (44) 0141-445-5101

DRAWN BY: V.S.T.		PROJECT: STOCK ORDER		GENERAL TOLERANCES: MACHINING: ±0.2mm		FIRST ANGLE PROJECTION		DO NOT SCALE FROM THIS DRAWING		TITLE: GENERAL ARRANGEMENT AND DETAILS FOR INSTALLATION SIZE:- Ø 150 mm WITH NON RISING SPINDLE SUITABLE FOR 6 M SEATING & 6 M UNSEATING WATER HEAD PROVIDED WITH CONVENTIONAL BOTTOM CLOSURE ARRANGEMENT AND HAVING MANUAL OPERATING ARRANGEMENT (GENERALLY MADE AS PER BS.7775)		DATE - 20.04.2023	
CHECKED BY: D.D.		CLIENT NAME: WATERFRONT FLUID CONTROLS LTD.		DIMS: <1000mm ±1.5mm		DO NOT SCALE FROM THIS DRAWING				DRAWING NUMBER: GA-A-QTN-1210004832002			
APPROVED BY: D.K.		LOCATION: -----		DIMS: >1000mm ±2.0mm						REV NUMBER: R2			
QTY. - 30 NOS.				THIS DOCUMENT IS COPYRIGHT AND IS THE PROPERTY OF WATERFRONT FLUID CONTROLS. IT MUST NOT BE COPIED OR DISCLOSED TO A THIRD PARTY, INCLUDING MANUFACTURE OF THE PRODUCT SHOWN THEREIN, WITHOUT THE WRITTEN CONSENT OF THE COMPANY.						MATERIAL: SEE MATERIAL NOTES		SHEET NUMBER 1 OF 1	
2009 WATERFRONT FLUID CONTROLS													