

Stoplogs

Waterfront Engineering Services Ltd. design and manufacture a range of Stainless Steel and Aluminium stoplogs for applications in the potable and waste water sectors as well as for drainage, power plants and industrial requirements.

With the application of its **advanced computer design and quotation programmes**, a rapid response is achieved in providing quality customer service and on-time deliveries.

The Stoplog range includes:

REBATED CHANNEL STOPLOGS, SIDE WALL MOUNTED STOPLOGS

ALUMINIUM STOPLOGS

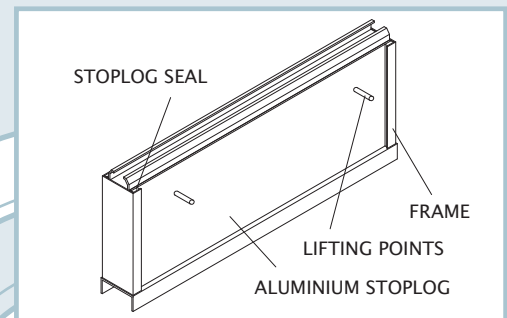
Application: Isolation or diversion for maintenance.

Types: Rebated Channel Mounted Stoplogs. Side Wall Mounted Stoplogs. End Wall Mounted Stoplogs.

Size range: From 200mm to 4000mm square or rectangular.

Pressure: Max 4 metres

Materials: Frame-Stainless Steel grades SS316, SS304 or Mild Steel with protective coatings.
Stoplogs - Aluminium to EN 753-3



STAINLESS STEEL STOPLOGS

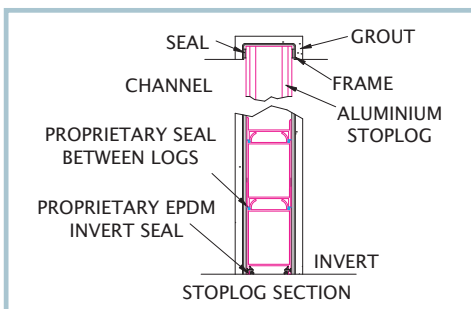
Application: Isolation or diversion for maintenance.

Types: Rebated Channel Mounted Stoplogs. Side Wall Mounted Stoplogs. End Wall Mounted Stoplogs.

Size range: Size range: From 200mm to 4000mm square or rectangular.

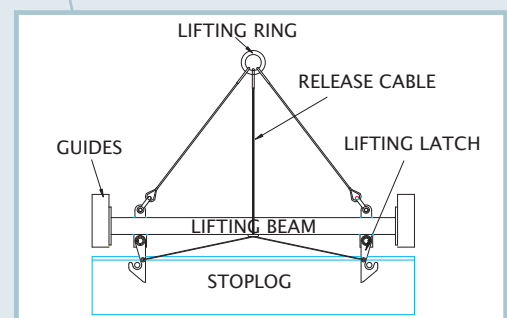
Pressure: Max 4 metres

Materials: Frame-Stainless Steel grades SS316, SS304 or Mild Steel with protective coatings.
Stoplogs - Stainless Steel grades Ss316, SS304 or Mild Steel with protective coatings



LIFTING EQUIPMENT

Types: Lightweight Manual Lifting poles. Automatic Lifting Beam. Lifting Davit



WATERFRONT FLUID CONTROLS LTD

www.waterfrontfc.co.uk

The Hub (Unit 8), Digital Media Quarter, Pacific Drive, Glasgow, G51 1EA

TEL: +44 (0)141 427 7266 * FAX: +44 (0)141 427 2706 * E MAIL: SALES@WATERFRONTFC.CO.UK

Company Reg No: 305356 * VAT Reg No: 894898138

Waterfront Engineering Services Ltd. offers a quality service in Special Design Applications, Products and Installation with over 25 years experience in the Water and Industrial market sectors.

It is the Company's Policy to be at the forefront of clients' requirements through the application of advances in materials and computer design technology for the benefit of its customers.