

## STAINLESS STEEL FLAP VALVE

**WATERFRONT** offers a quality service in Special Design Applications, Products and installations with over 25 years experience in the Water and Industrial market sectors.

It is the Company's policy to be at the forefront of clients' requirements through the application of advances in materials and computer design technology for the benefit of its customers.

### PRODUCTION FACILITY

We design and manufacture the Stainless Steel Flap Valves ourselves. Our team is ready to respond to your project-orientated designs. If requested we can also mount the flap valves for you. They can be supplied round, square or rectangular to suit your project requirements.

### MATERIALS

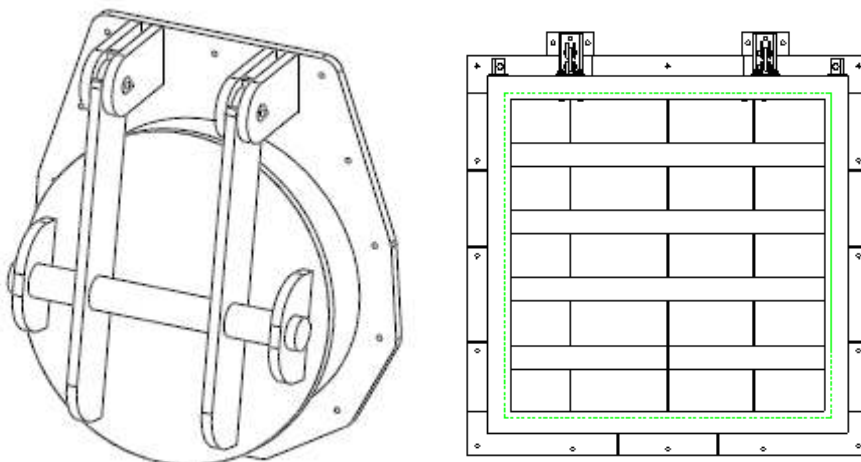
All flap valves are made from high quality Stainless Steel. This material is highly corrosion resistant with a longevity and low maintenance cost.

### CONSTRUCTION

The frame shall be stainless steel of flat wall mounted or flange mounted design with seating surface either flat or inclined from vertical at an angle to assure positive closure. The stainless steel cover shall be attached to the frame in such a manner as to allow proper seating and full opening of cover.

Built in stops shall be provided to prevent the cover from rotating sufficiently to become wedged in the open position. EPDM is used between the frame and the door to ensure that when the flap door is in the closed position there will be a seal. The seal shall be retained by a stainless steel clamp ring.

The door shall be attached to the frame using either single or double hinge and maintenance free iolite bearings, the door is hung on a pivot, secured with pivot pins to ensure an accurate seal at all times when the door is closed regardless of tidal action.



### WATERFRONT FLUID CONTROLS LTD

[www.waterfrontfc.co.uk](http://www.waterfrontfc.co.uk)

The Hub, Unit 8, Digital Media Quarter, Pacific Quay, Glasgow, G51 1EA

Tel: +44 (0)141 427 7266 Fax: +44 (0) 141 427 2706

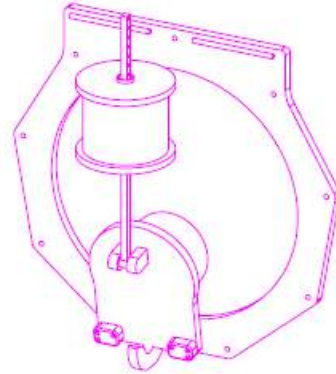
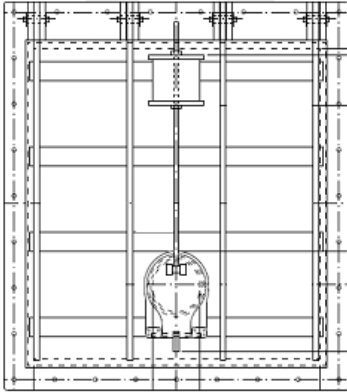
Email: [sales@waterfrontfc.co.uk](mailto:sales@waterfrontfc.co.uk)

Company Reg No.: 305356 VAT: Reg No. : 89 489 8138



Waterfront is accredited by UVDB, UVDB  
VERIFY and ISO 9001:2008

## STAINLESS STEEL FLAP VALVE



### FEATURES

The flap is self closing to prevent reverse flow.  
Our Stainless Steel flap valves are suitable for use in fresh water, rivers, outfalls and surface or storm water applications.  
Single or Double hinge for optimal sealing  
Oilite Bearings  
Corrosion resistant construction  
Fully Flanged drilled to suit options available  
Stainless Steel 316 anti-tamper hinges.

### MOUNTING OPTIONS

The Flap valve can be supplied suitable for;  
Wall Mounting  
Flange Mounting to PN16, PN10, or drilled to suit your project requirements.  
The door can be supplied vertically hung or inclined for Tidal use or Turbulent water environments where inclined doors may be more suitable.  
The can be fitted with an optional Fish Friendly Flap Valve

### FLAP VALVES

Certificate: ISO 9001:2008  
Industrial Standards: DIN 19569-4  
All stainless steels are to BS EN 10088:1995  
Mild steel is to BS 4360-3A

### ADVANTAGES

- High Duty construction
- Light construction and thus easier installation and cheaper installation costs
- Minimum maintenance
- Less hydraulic losses

### CHARACTERISTICS

Size 100 – 4000 mm  
Standard 1, 3, 6 or 10 mwc, higher available upon request.

### MATERIALS

Frame , Door and Fixings :- Stainless Steel GRADES SS304 , SS316 , Super Duplex ,  
All stainless steels are to BSEN 10088:1995  
Mild Steel with protective coatings Mild steel is to BS 4360-3A  
Bearing :-Oilite Bearing ( maintenance free)  
Seal :- EPDM

### WATERFRONT FLUID CONTROLS LTD

www.waterfrontfc.co.uk  
The Hub, Unit 8, Digital Media Quarter, Pacific Quay, Glasgow, G51 1EA  
Tel: +44 (0)141 427 7266 Fax: +44 (0) 141 427 2706  
Email: sales@waterfrontfc.co.uk  
Company Reg No.: 305356 VAT: Reg No. : 89 489 8138



Waterfront is accredited by UVDB, UVDB  
VERIFY and ISO 9001:2008