

WATERFRONT

SPECIFICATION

The Waterfront swing check valve complies fully with the requirements of BS EN 12334 (BS5153). These conventional swing check valves are used in horizontal or vertical systems with rising flow to prevent flow reversal. Removable cover on top of valve body casing facilitates inspection of bearings and movement of door. Valves can be supplied with an extended hinge pin and external lever, cast iron weight and limit switch.

Disc fitted with resilient seat can be supplied.

SCOPE OF APPLICATION

Suitable for waterworks, drainage, fire fighting, air conditioning, sea water and etc.



FLOW RATING

Valve Size	Max. Flow (l/s)	Valve Size	Max Flow (l/s)
80	17	300	268
100	30	350	367
125	47	400	477
150	68	450	602
200	117	500	740
250	186	600	1083

However, these flow ratings are for guidance only and subject to revision depending on the system conditions - for example, the pump lift and gradient.

FLANGE DRILLING

To suit BS EN 1092-2 PN10/16/25/40/64

PROTECTIVE COATING

Epoxy coating material, approved for potable water service to BS6920

TESTING

All the valves are machine tested on each face to the nominal pressure and on the body to the test pressure in accordance with BS EN1074-3 & BS EN12266-1

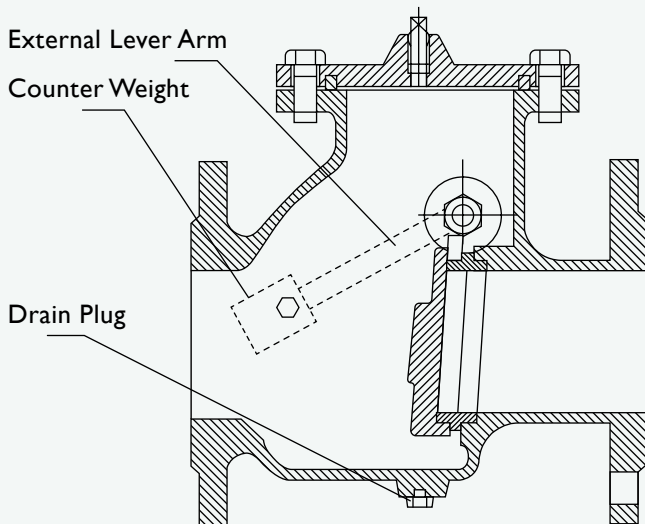
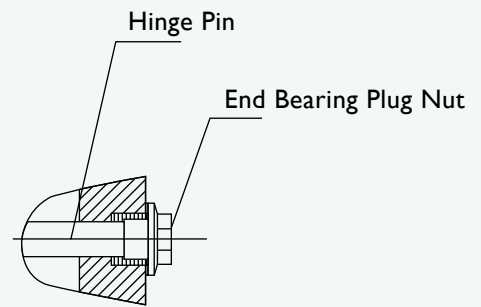
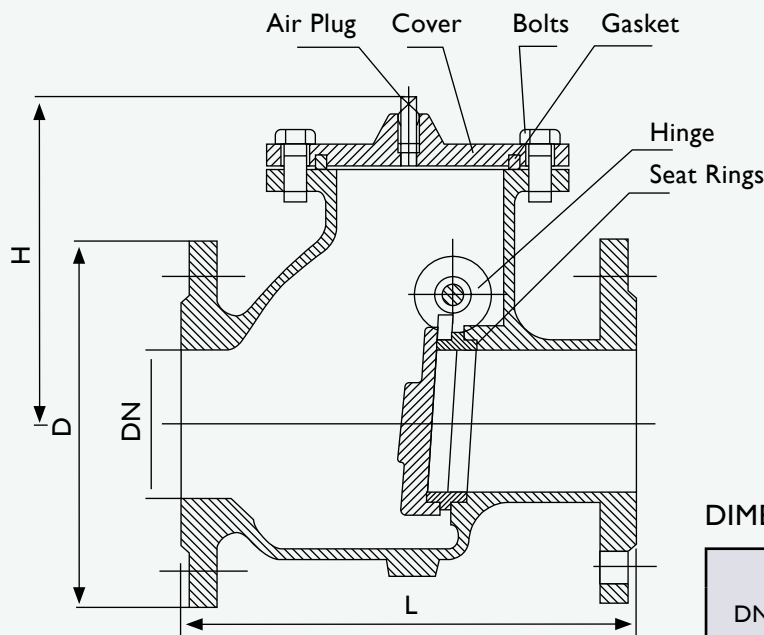
FIGURE NUMBER & PRESSURE RATING

Model	Working Pressure	Body Test Pressure	Sea Test Pressure
654	16 Bar	25 Bar	17.6 Bar
655	25 Bar	37.5 Bar	27.5 Bar
656	40 Bar	60 Bar	44 Bar
657	64 Bar	96 Bar	70.4 Bar

For Waterworks/Drainage/Sewage Purpose & General Use

MATERIAL

COMPONENT	STANDARD	OPTIONS on request
Body, Disc, Cover, Hinge	Spheroidal Graphite Cast Iron (Ductile Iron) BS EN1563-EN-GJS-450/10 or 500/7	> Grey Cast Iron BS1561-EN-GJL-250 > Cast Steel A216 WCB > Stainless Steel BS EN1088 Grade 1.4401 (316)
Seat Rings	Copper Alloy BS EN1982 Grade CC491K (Gunmetal)	> Copper Alloy BS EN1982 Grade CC331G (AB1) > Copper Alloy BS EN1982 Grade CC333G (AB2) > Stainless Steel BS EN10088 Grade 1.4401 (316) > EPDM BS EN681-1 and BS6920
Hinge Pin, Fixings	Stainless Steel BS EN10088 Grade 1.4301 (304)	> Stainless Steel BS EN10088 Grade 1.4401 (316) > Stainless Steel BS EN10088 Grade 1.4057 (431S29)



(OPTIONAL EXTRAS)

DIMENSION (mm)

DN	L	H	D		~Kg	
			PN16	PN25	654	C/W Lever Arm
50	203	135	165	165	14	16
65	216	156	185	185	16	19
80	241	167	200	200	19	23
100	292	178	220	235	25	30
125	330	200	250	270	38	44
150	356	220	285	300	45	53
200	495	300	340	360	90	105
250	622	346	405	425	145	158
300	698	384	460	485	190	219
350 to 1000	REFER DRAWING					

WATERFRONT FLUID CONTROLS WATERFRONT ENGINEERING SERVICES

Unit 6, Elderpark Workspace, 100 Elderpark Street, Glasgow, G51 3TR.

Tel: (44) 0141-5856750 Fax: (44) 0141-5856751

Website: www.waterfrontfluidcontrols.co.uk www.waterfrontengservices.co.uk