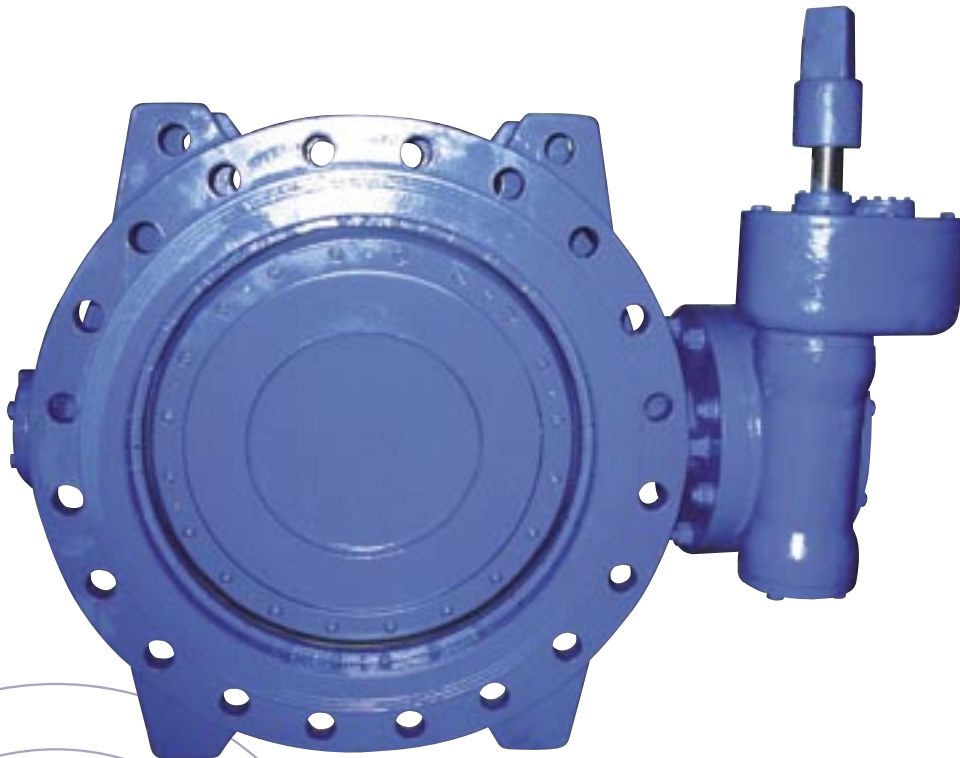


WATERFRONT

Butterfly Valve to BS EN593 (BS5155)

Flanged Version



WATERFRONT FLUID CONTROLS WATERFRONT ENGINEERING SERVICES

Unit 6, Elderpark Workspace, 100 Elderpark Street, Glasgow, G51 3TR.

Tel: (44) 0141-5856750 Fax: (44) 0141-5856751

Website:

www.waterfrontfluidcontrols.co.uk

www.waterfrontengservices.co.uk

Butterfly Valve, Double Flanged Version

SPECIFICATION

Having licensed the intellectual property of the world famous Valves, **WATERFRONT** is now able to manufacture butterfly valves up to 3000mm diameter. The valve complies fully with the requirement of BS EN593 (BS5155).

Suitable for waterworks, drainage, sewage, sea water, potable water, flush water, air, gas, mineral oil, alkalizes/dilute acids and etc.

DESIGN

1. Small in size and light in weight. Easy installation and maintenance. It can be mounted wherever needed,
2. Simple and compact construction, quick 90 degrees on-off operation.
3. Minimized operating torque, energy saving.
4. Flow curve in straight line. Excellent regulation performance.
5. Long working life. Standing the test of tens of thousands opening/closing operations.
6. Bubbles-tight sealing with no leakage under the pressure test.
7. Wide selection of materials, applicable for various mediums.

FLANGE DRILLING

To suit BS EN 1092-2 PN10/16/25/40/64, DIN2501, ANSI Class 125/150/300

Lugged type is available upon request

PROTECTIVE COATING

Epoxy coating material, approved for potable water service to BS6920

WORKING TEMPERATURE

-10 to 150° C (with proper materials)

TESTING

All valves are machine tested on each face to the nominal pressure and on the body to the test pressure in accordance with BS EN593 and BS EN12266-1

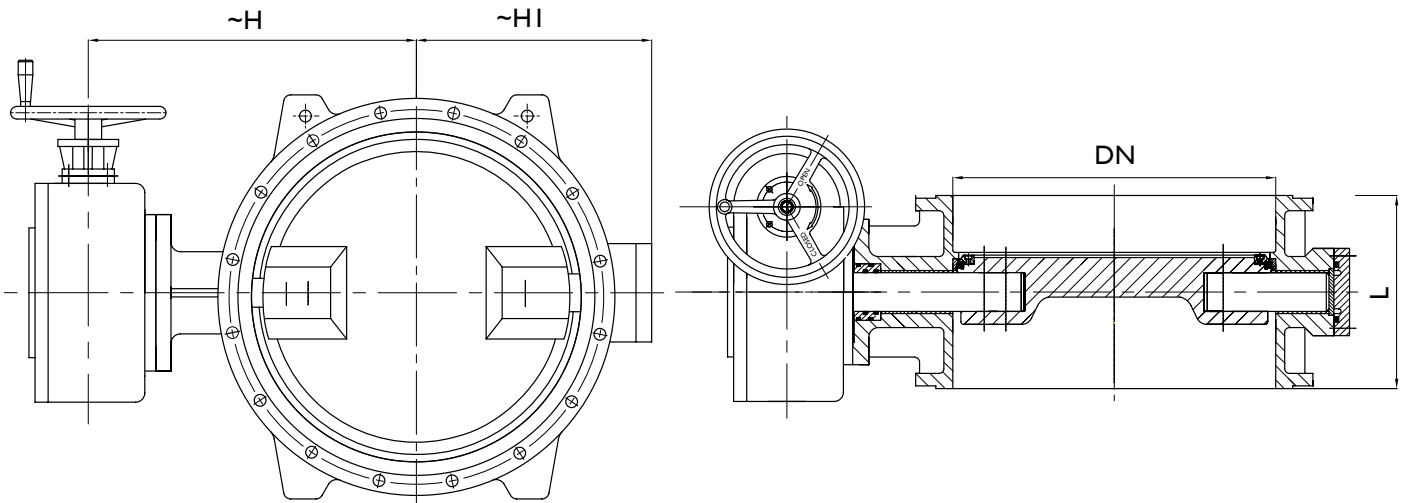
FIGURE NUMBER & PRESSURE RATING

Series	Working Pressure	Body Test Pressure	Sea Test Pressure
362	16 Bar	24 Bar	17.6 Bar
363	25 Bar	37.5 Bar	27.5 Bar
364	40 Bar	60 Bar	44 Bar
365	64 Bar	96 Bar	70.4 Bar

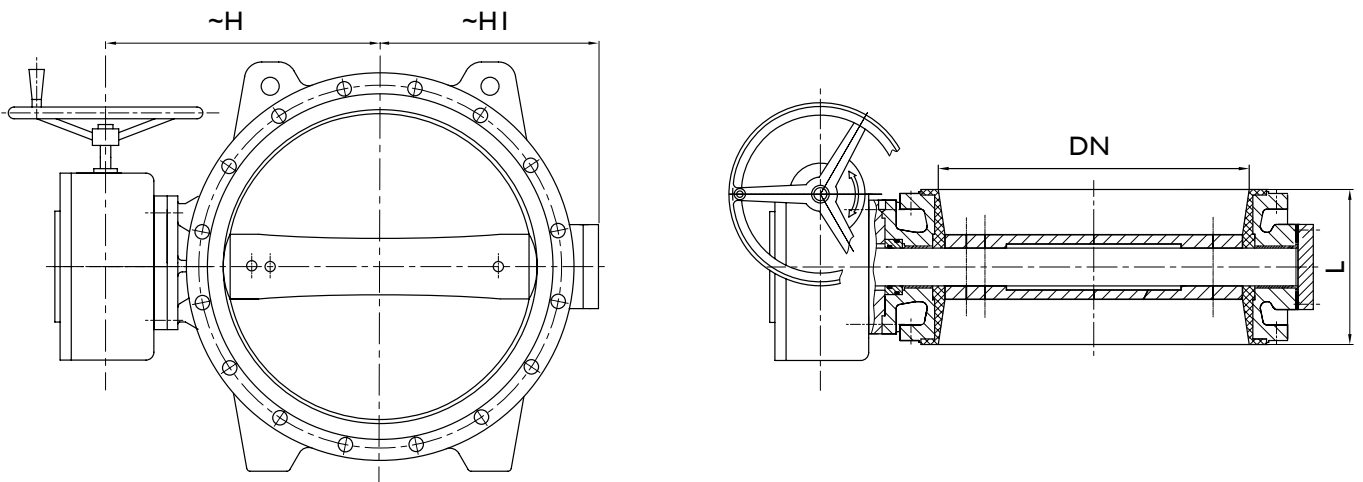
MATERIAL

COMPONENT	STANDARD	OPTIONS on request
Body, Disc	Spheroidal Graphite Cast Iron (Ductile Iron) BS EN1563-EN-GJS-450/10 or 500/7	> Cast Steel A216 WCB > Stainless Steel BS EN10088 Grade 1.4401 (316)
Shaft, Body Seat Ring	Stainless Steel BS EN10088 Grade 1.4401 (316)	
Seal Ring on Disc, Vulcanized Seat	EPDM BS EN681-1 and BS6920	> NBR > PTFE
Fixings	Stainless Steel BS EN10088 Grade 1.4301 (304)	> Stainless Steel BS EN10088 Grade 1.4401 (316)

RESILIENT SEAT



VULCANIZED SEAT



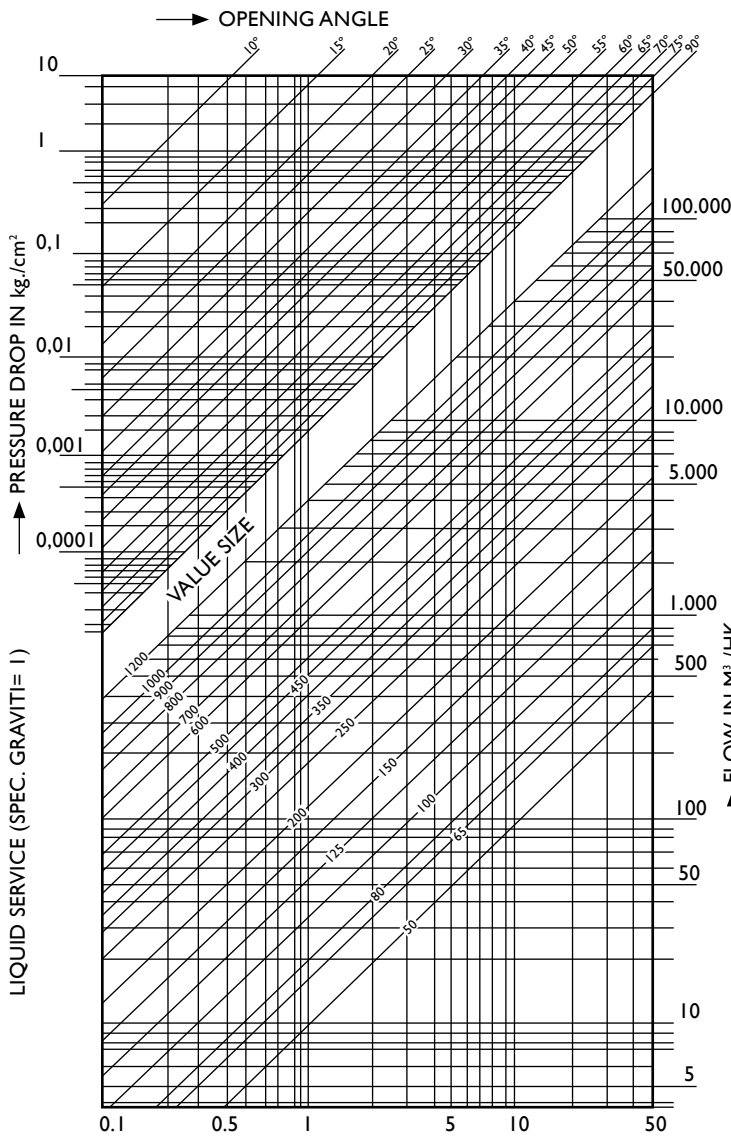
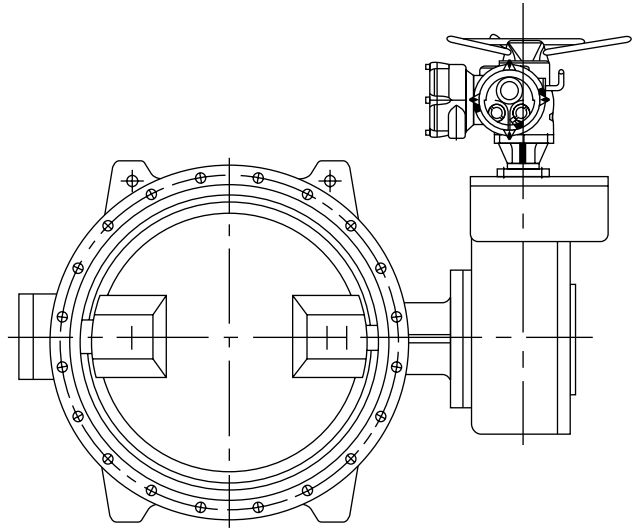
Main outline dimensions in mm

DN	L		~H	~HI
	Short	Long		
100	127	190	295	210
150	140	210	295	210
200	152	230	295	210
250	165	250	330	235
300	178	270	349	284
350	190	290	390	319
400	216	310	415	345
450	222	330	519	382
500	229	350	489	420
600	267	390	563	476

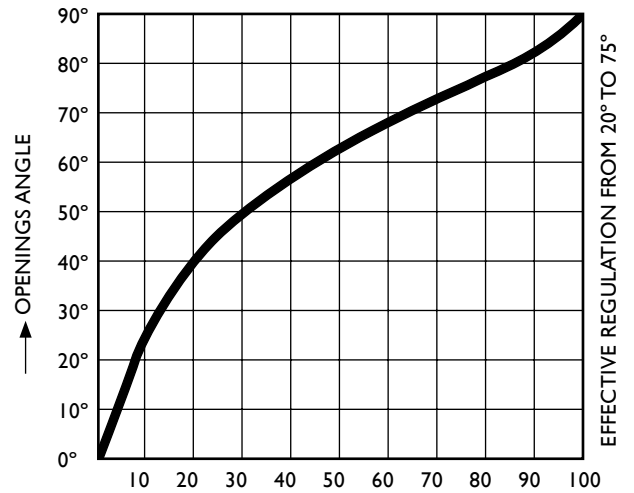
DN	L		~H	~HI
	Short	Long		
700	292	430	630	550
800	318	470	678	600
900	330	510	838	665
1000	410	550	960	775
1100	470	630	1077	860
1200	470	630	1127	910
1400	530	710	1146	985
1600	600	790	1559	1190
1800	670	870	1975	1420
2000	760	950	2085	1615

WATERFRONT

MOTORIZED BUTTERFLY VALVE



CHARACTERISTIC DIAGRAMME OF THE FLUID



WATERFRONT FLUID CONTROLS LIMITED

Unit 6, Elderpark Workspace, 100 Elderpark Street, Glasgow, G51 3TR.

Tel: (44) 0141-5856750 Fax: (44) 0141-5856751

E mail: neil.betteridge@waterfrontengservices.co.uk