

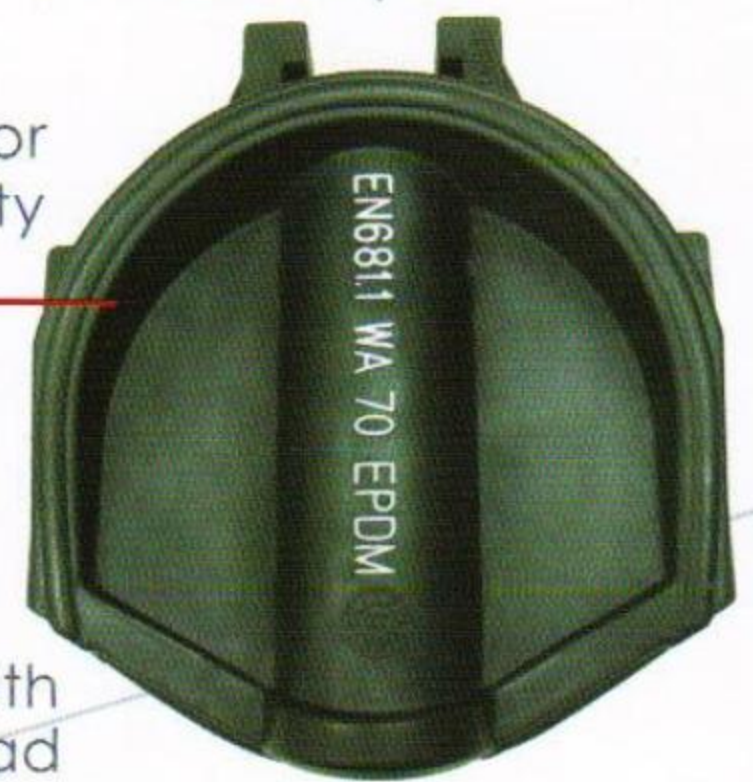
WATERFRONT

◆ Series 223 Resilient Seated Wedge Gate Valve ◆

BS 5163-1&2 / BS EN1074-1&2

DESIGN FEATURES

- * Stem Cap or Handwheel Operation
- * Underground Service
- * Clockwise CLOSE
- * Life Long Sealing
- * Epoxy Coating To BS 6920
- * Gland Bolt Housing arranged for easy removal of the bolts
- * Service Areas:
Waterworks / Drainage / Sewage
Sea water / Potable water
Alkalies acids / Dilute acids etc.
- * Stem Cap:
Shear device to prevent overtorque
- * Body:
Minimal height for strength and rigidity
- * Seats ●
Resilient material conform to
BS EN681-1 WA 70
- * Spindle:
Non-rising type with strong square thread
- * Flange Drilling: BS EN1092-2 PN16



WATERFRONT FLUID CONTROLS LTD

www.waterfrontfc.co.uk

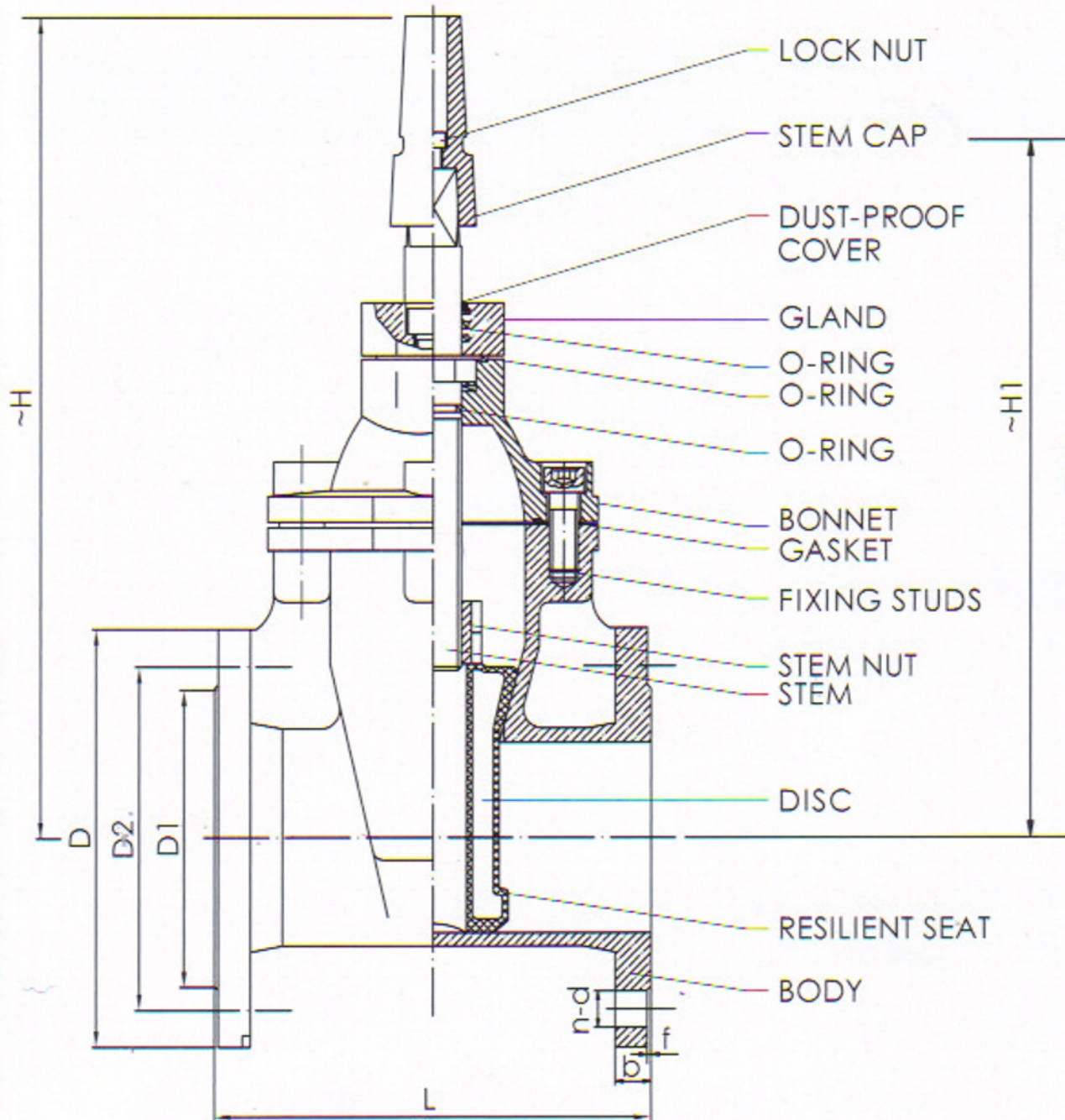
The Hub (Unit 8), Digital Media Quarter, Pacific Drive, Glasgow, G51 1EA

TEL: +44 (0)141 427 7266 * FAX: +44 (0)141 427 2706 * E MAIL: SALES@WATERFRONTFC.CO.UK

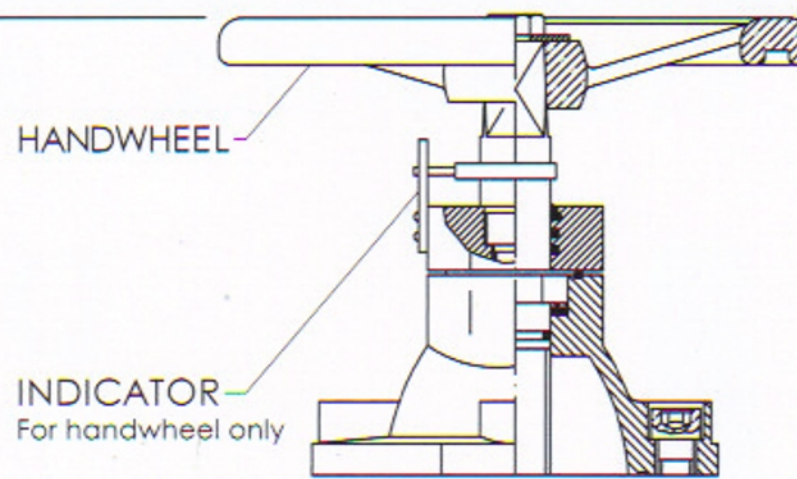
Company Reg No: 305356 * VAT Reg No: 894898138

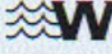
SPECIFICATIONS

CAP OPERATION



HANDWHEEL OPERATION



BODY MARKING
 DN___ 
 SG RES *2007
 PN16
 BS5163-1
 EN1074-2
 *Year of manufacture.

DN	L	~H	~H1	D	D2	D1	n-d	b	f
50	178	326	273	165	125	98	4-19	19	3
65	190	364	325	185	145	118	4-19	19	3
80	203	386	350	200	160	132	8-19	19	3
100	229	420	392	220	180	156	8-19	19	3
125	254	490	450	250	210	182	8-19	19	3
150	267	517	495	285	240	211	8-23	19	3
200	292	604	591	340	295	266	12-23	20	3
250	330	705	700	405	355	319	12-28	22	3
300	356	785	780	460	410	370	12-28	24.5	4

All dimension in mm

COMPONENT	MATERIAL
BODY	SG CAST IRON BS EN1563-EN-GJS-500/7
DISC	SG CAST IRON BS EN1563-EN-GJS-500/7
RESILIENT SEAT	EPDM BS EN681-1
STEM	STAINLESS STEEL BS970-431S29
STEM NUT	COPPER ALLOY BS EN1982-CC491K
FIXING STUDS	STAINLESS STEEL BS970-304
GASKET	EPDM or NBR BS EN681-1
BONNET	SG CAST IRON BS EN1563-EN-GJS-500/7
O-RING	EPDM or NBR BS EN681-1
GLAND	SG CAST IRON BS EN1563-EN-GJS-500/7
DUST-PROOF COVER	EPDM or NBR BS EN681-1
STEM CAP	SG CAST IRON BS EN1563-EN-GJS-500/7
HANDWHEEL	SG CAST IRON BS EN1563-EN-GJS-500/7
INDICATOR	PLASTIC
LOCK NUT	STAINLESS STEEL BS970-304

#Alternative materials available on request

COATING

Electrostatically Fusion Powder Coated Epoxy with full tests of effect on water quality of BS6920

TESTING

All valves are machine tested on each face to the nominal pressure and on the body to the test pressure in accordance with BS5163-1&2, BS EN1074-1&2, BS EN12266-1

*Working Pressure	16 Bars
Body Test Pressure	25 Bars
Seat Test Pressure	17.6 Bars

*PN25 available on request