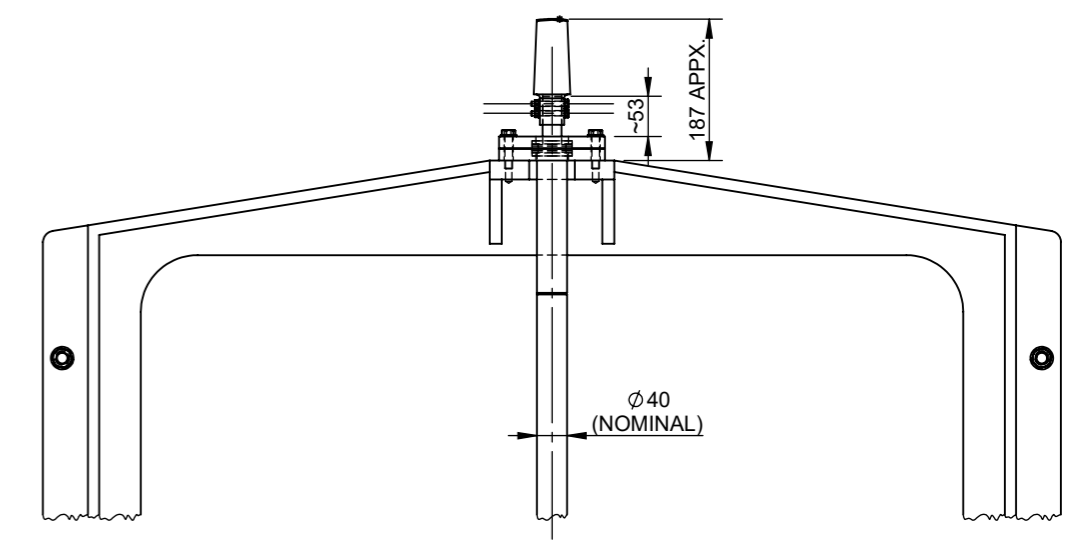
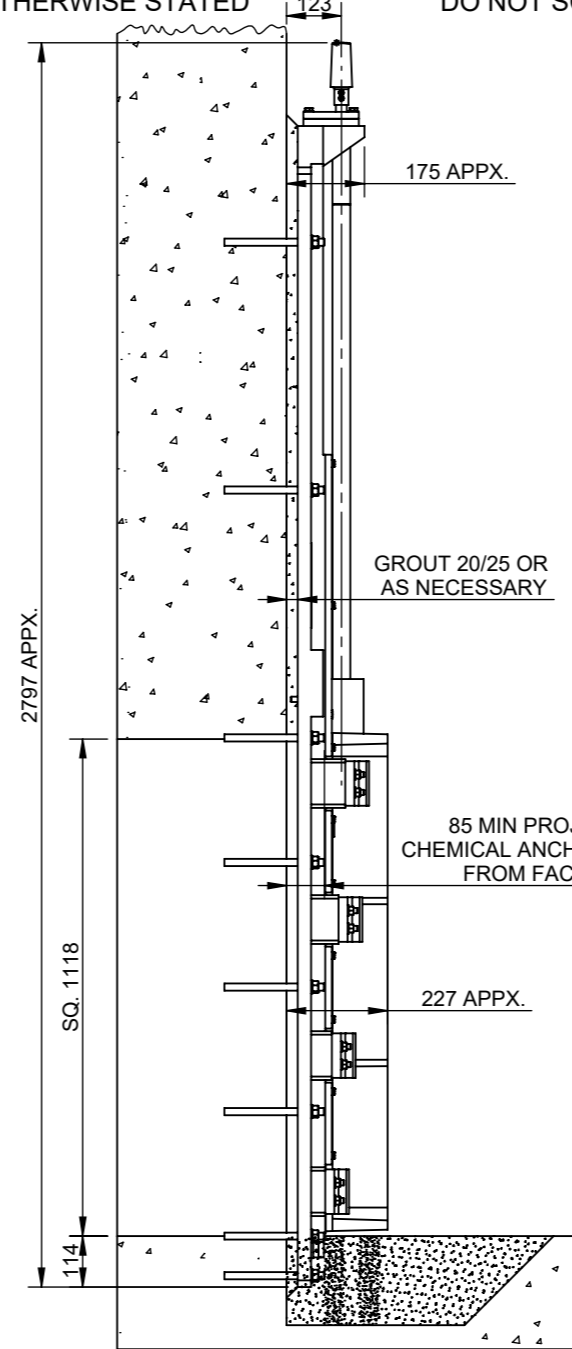
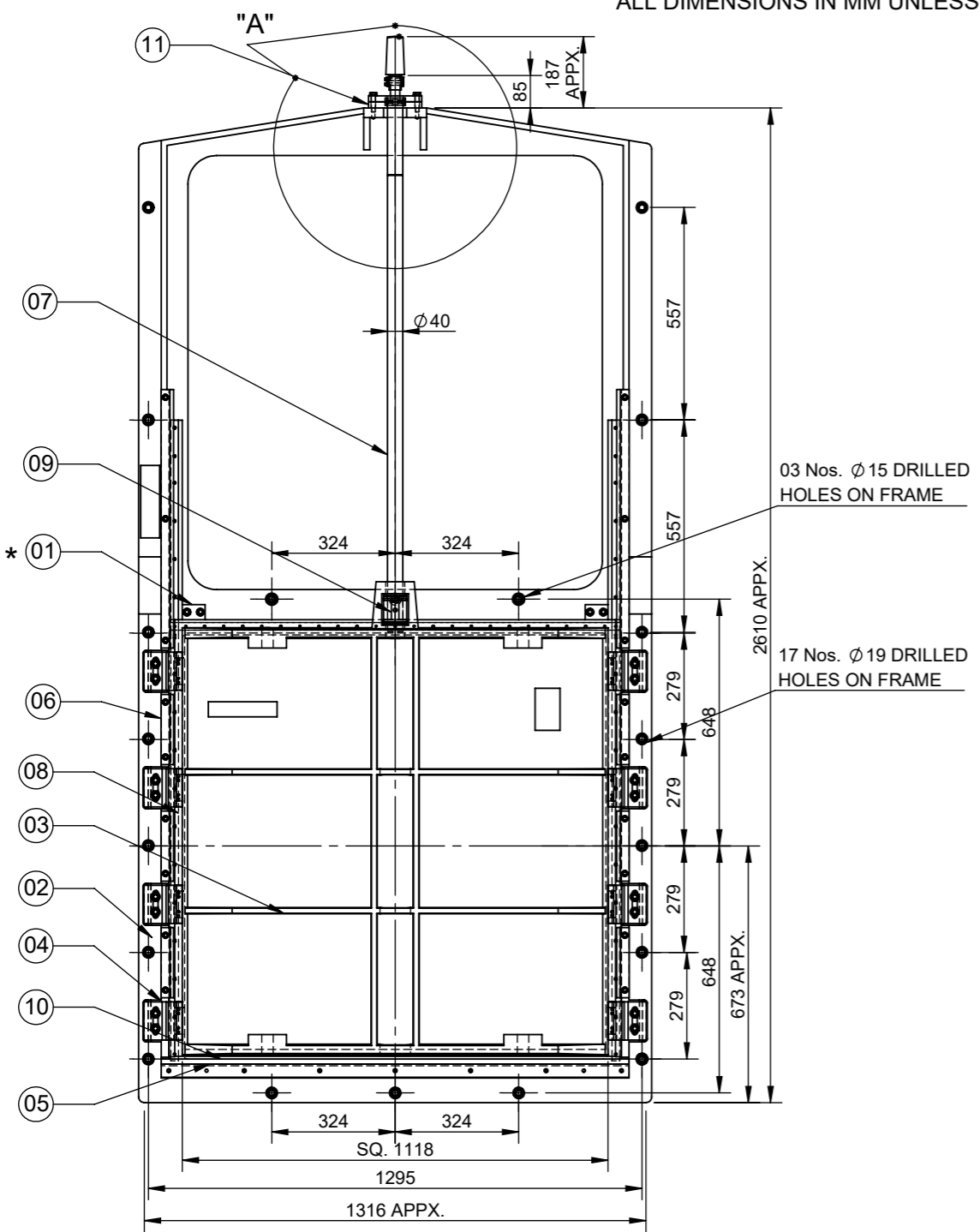


ALL DIMENSIONS IN MM UNLESS OTHERWISE STATED DO NOT SCALE - IF IN DOUBT ASK



**FRONT VIEW OF CAST IRON SLUICE GATE**

**SIDE VIEW WITH CUT SECTION OF WALL**

11	BASE PLATE	MILD STEEL
10	BOTTOM RUBBER SEAL	EPDM RUBBER
09	STEM BLOCK/THRUST NUT	CAST IRON BS EN 1561 GJL-250
08	SEAT FACING	
07	STEM	
06	COVER RIB	
05	BOTTOM SEAL SUPPORT BAR	CAST IRON BS EN 1561 GJL-250
04	SIDE WEDGING DEVICE (LINED WITH GUNMETAL BSEN 1982 GR. LG2)	
03	SHUTTER	
02	GATE FRAME	
* 01	TRANSIT STOPS	HDPE
SR. NO	DESCRIPTION	MATERIAL

NOTES :-

- ALLOWABLE DEVIATION FOR UNTOLERANCED DIMENSIONS OF CASTINGS TO BE AS PER ISO 8062-3.
- ALLOWABLE DEVIATION FOR DIMENSIONS WITHOUT SPECIFIED TOLERANCES TO BE AS PER ISO:2768.
- TRANSIT STOPS (PAINTED IN RED) SHOULD NOT BE REMOVED UNTIL THE GATE IS INSTALLED AND IS TO BE INITIALLY OPERATED.
- ALL FASTENERS (NUTS, BOLTS & WASHERS) FOR GATE ASSEMBLY, & BASE PLATE TO BE OF STAINLESS STEEL BS EN 10088-3 GR.1.4401 (TYPE 316) MATERIAL.
- PAINT IS SUITABLE FOR DIRTY/SEWAGE WATER APPLICATION. BLACK EPOXY PAINT WITH BLACK SHADE (RAL 9005). TOTAL DRY FILM THICKNESS INCLUSIVE OF PRIMING TO BE 250 MICRONS.

- SEAT FACING TO BE FITTED ON PLAIN SURFACE OF SHUTTER AND FRAME.
- ADHESIVE CAPSULES/CHEMICAL CAPSULES AND CHEMICAL ANCHOR FASTENERS TO BE ARRANGED BY CLIENT.
- PERMISSIBLE LEAKAGE LESS THAN FOR :-
  - ON SEATING HEAD : 1.25 L/MIN/M OF SEAL PERIMETER.
  - OFF SEATING HEAD : 2.5 L/MIN/M OF SEAL PERIMETER UP TO INCLUDING 6M WATER HEAD.
- APPX WEIGHT OF GATE ASSEMBLY IS 632 KG. APPX.

\*

**WATERFRONT FLUID CONTROLS**  
 MARITIME HOUSE (SUITE 8),  
 143 WOODVILLE ST, GLASGOW, G51 2RQ  
 WEB: www.waterfrontfc.co.uk  
 TEL: (44) 0141-445-3781  
 FAX: (44) 0141-445-5101



DRAWN BY: MY		PROJECT:		GENERAL TOLERANCES: MACHINING: ±0.2mm		FIRST ANGLE PROJECTION		DO NOT SCALE FROM THIS DRAWING		TITLE:- GENERAL ARRANGEMENT AND DETAILS FOR INSTALLATION OF A-101 SIZE:- 1100X1100 WITH NON RISING SPINDLE SUITABLE FOR 6 M SEATING & 3 M UNSEATING WATER HEAD PROVIDED WITH FLUSH BOTTOM CLOSURE ARRANGEMENT AND HAVING MANUAL OPERATING ARRANGEMENT (GENERALLY MADE AS PER BS:7775)		DATE - 23.02.2021	
CHECKED BY: SM		CLIENT NAME:		DIMS: <1000mm ±1.5mm		[Symbol]				DRAWING NUMBER: GA-A-101-WSO-15			
APPROVED BY: DK		LOCATION:		DIMS: >1000mm ±2.0mm		THIS DOCUMENT IS COPYRIGHT AND IS THE PROPERTY OF WATERFRONT FLUID CONTROLS. IT MUST NOT BE COPIED OR DISCLOSED TO A THIRD PARTY, INCLUDING MANUFACTURE OF THE PRODUCT SHOWN THEREIN, WITHOUT THE WRITTEN CONSENT OF THE COMPANY.				REV NUMBER: R0			
S.NO.		DATE		QTY. -		2009 WATERFRONT FLUID CONTROLS				MATERIAL: SEE MATERIAL NOTES		SHEET NUMBER 1 OF 1	