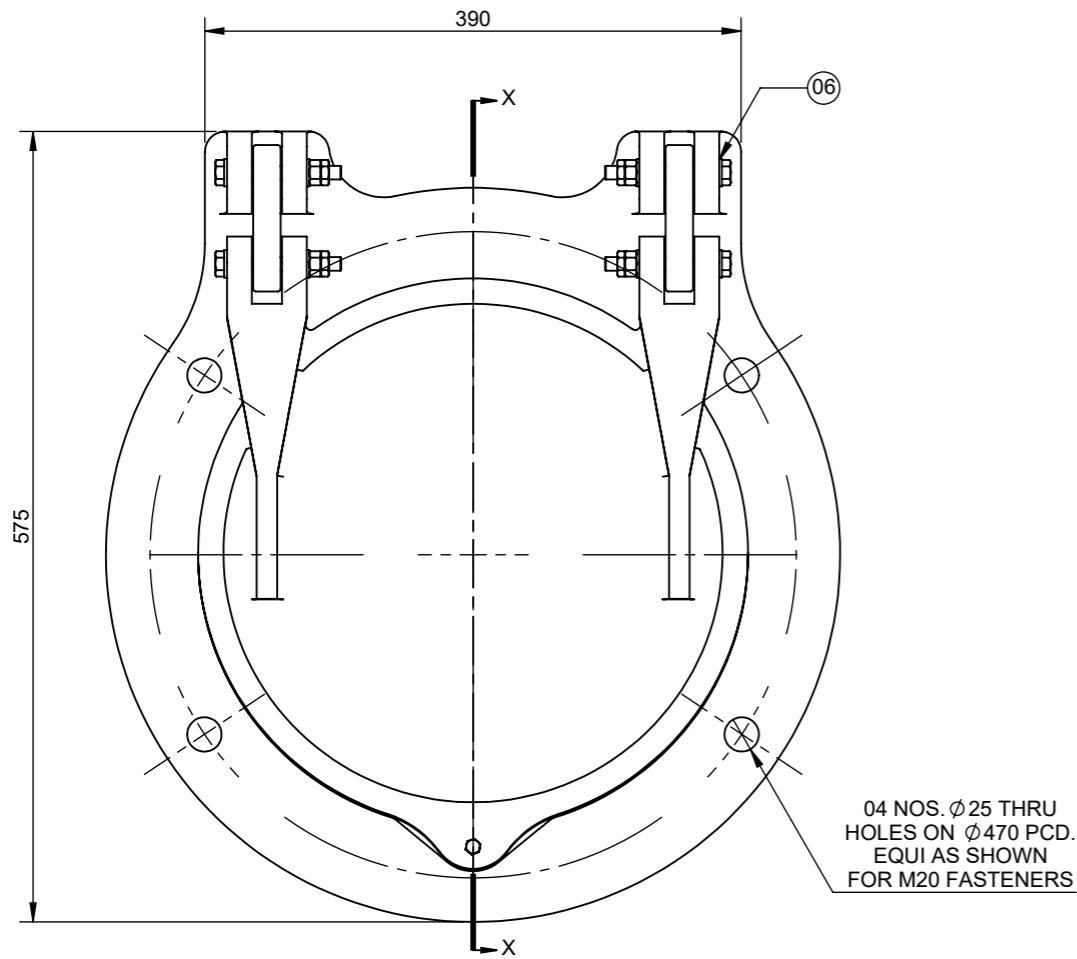
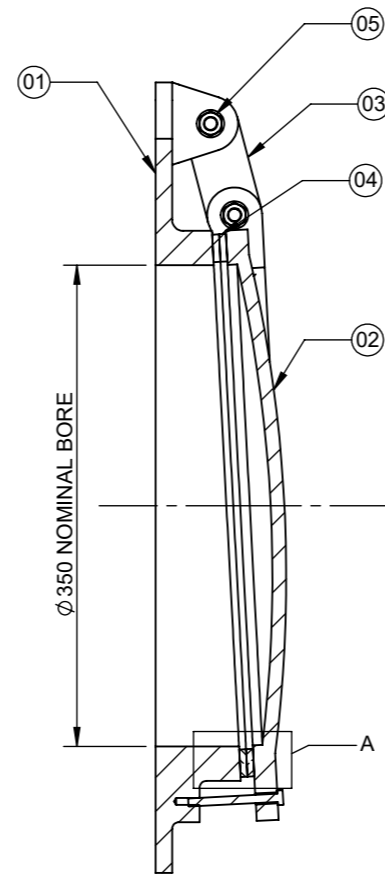


ALL DIMENSIONS IN MM UNLESS OTHERWISE STATED

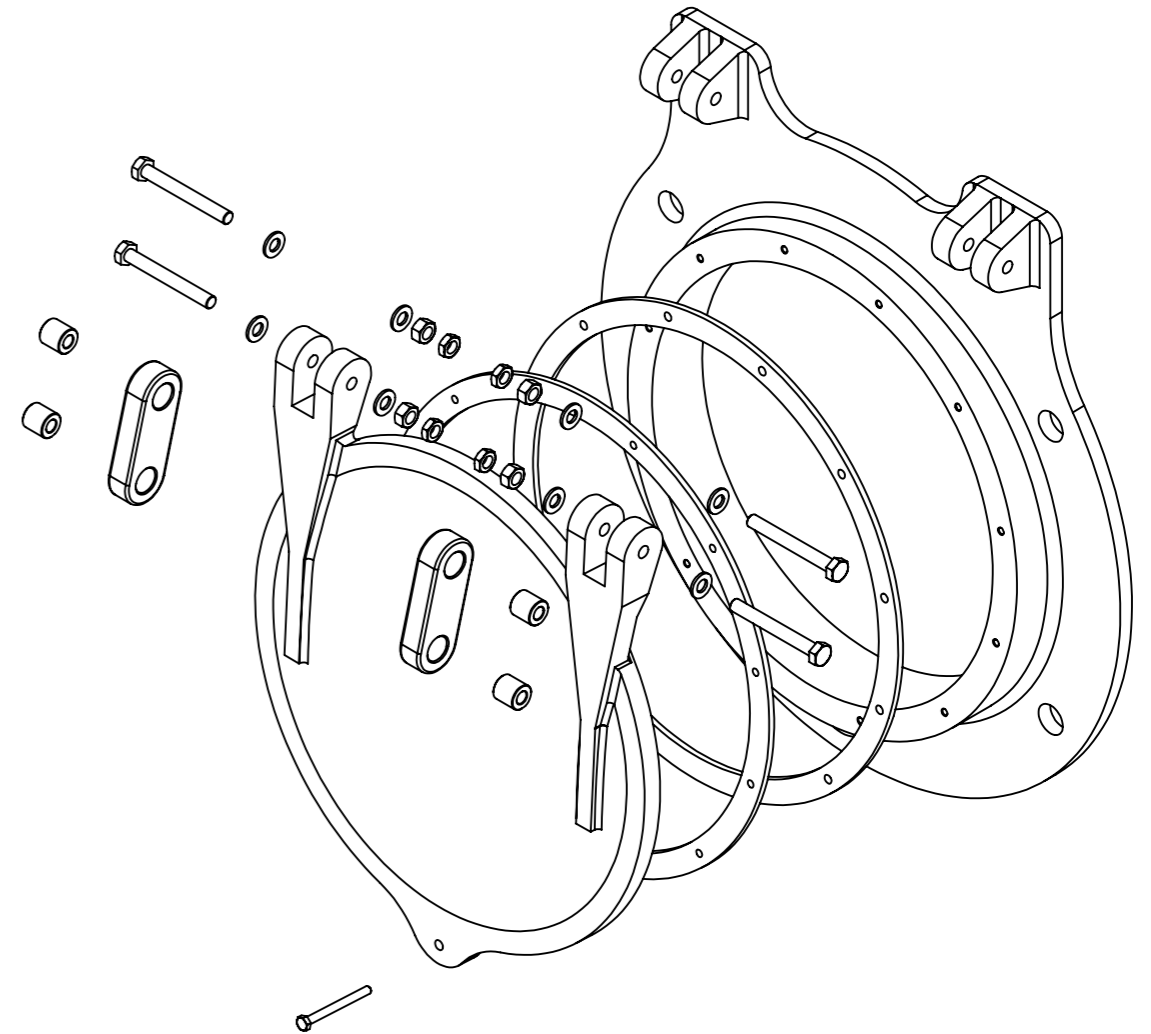
DO NOT SCALE - IF IN DOUBT ASK



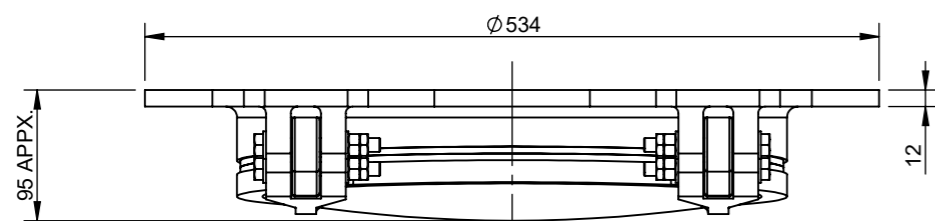
FRONT VIEW



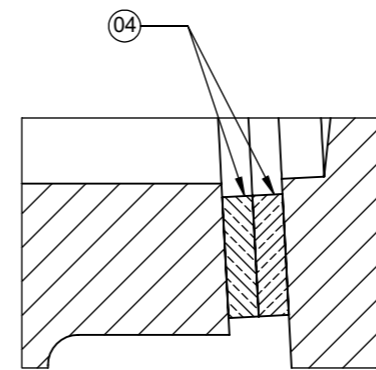
SECTION X-X



EXPLODED ISOMETRIC VIEW



TOP VIEW



DETAIL A

SR. NO	DESCRIPTION	MATERIAL
06	HINGE BUSH	UHMWPE ASTM D4020
05	HEX. BOLT	STAINLESS STEEL ASTM A276 TYPE 316
04	SEAT FACING	GUNMETAL BS EN 1982 GRADE LG2
03	LINK	STAINLESS STEEL ASTM A240 TYPE 316
02	SHUTTER / FLAP	CAST IRON BSEN 1561 GRADE 250
01	FRAME	CAST IRON BSEN 1561 GRADE 250

WATERFRONT FLUID CONTROLS
 MARITIME HOUSE (SUITE 8),
 143 WOODVILLE ST, GLASGOW, G51 2RQ
 WEB: www.waterfrontfc.co.uk
 TEL: (44) 0141-445-3781
 FAX: (44) 0141-445-5101



NOTE:- 1. PCD AS PER (PN16) EN 1092-2.

NOTES :-

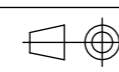
- ALLOWABLE DEVIATION FOR UNTOLERANCED DIMENSIONS OF CASTINGS TO BE AS PER ISO 8062-3.
- ALLOWABLE DEVIATION FOR DIMENSIONS WITHOUT SPECIFIED TOLERANCES TO BE AS PER ISO:2768.
- ALL FASTENERS (NUTS,BOLTS & WASHERS) FOR GATE ASSEMBLY, CHEMICAL ANCHOR FASTENERS FOR GATE FRAME TO BE OF STAINLESS STEEL ASTM A276 TYPE 316 MATERIAL.
- ADHESIVE CAPSULE/CHEMICAL CAPSULE FOR CHEMICAL ANCHOR FASTENERS TO BE ARRANGED BY CLIENT.
- APPROX. WEIGHT OF GATE ASSEMBLY IS 39 kgs.
- PAINT FOR FLAP GATE ASSEMBLY :- JOTUN TANKGUARD 412- EPOXY PAINT WITH BLACK SHADE TOTAL DFT 250 MICRONS.

S.NO.	DATE	DESCRIPTION	REV.BY	APPROVAL
1				

DRAWN BY: VST	PROJECT:
CHECKED BY: SM	CLIENT NAME:
APPROVED BY: DK	LOCATION:
	QTY. -

GENERAL TOLERANCES:
 MACHINING: ±0.2mm
 DIMS: <1000mm ±1.5mm
 DIMS: >1000mm ±2.0mm

FIRST ANGLE PROJECTION



DO NOT SCALE FROM THIS DRAWING

THIS DOCUMENT IS COPYRIGHT AND IS THE PROPERTY OF WATERFRONT FLUID CONTROLS. IT MUST NOT BE COPIED OR DISCLOSED TO A THIRD PARTY, INCLUDING MANUFACTURE OF THE PRODUCT SHOWN THEREIN, WITHOUT THE WRITTEN CONSENT OF THE COMPANY.

2009 WATERFRONT FLUID CONTROLS

TITLE:-
 GENERAL ARRANGEMENT AND CIVIL BLOCKOUT
 DETAILS FOR INSTALLATION OF FACE WALL
 MOUNTED CAST IRON FLAP VALVE / GATE
 (METAL SETAED) SIZE- Ø350mm

MATERIAL: SEE MATERIAL NOTES

DATE - 28.01.2021

DRAWING NUMBER:
JE/SG/GEN/1923

REV NUMBER: R0

SHEET NUMBER 1 OF 1

A2