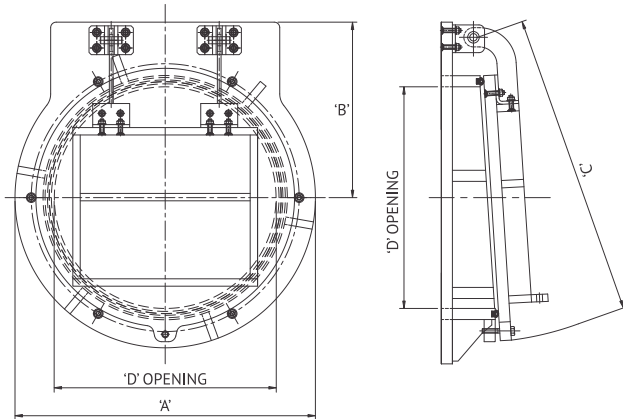
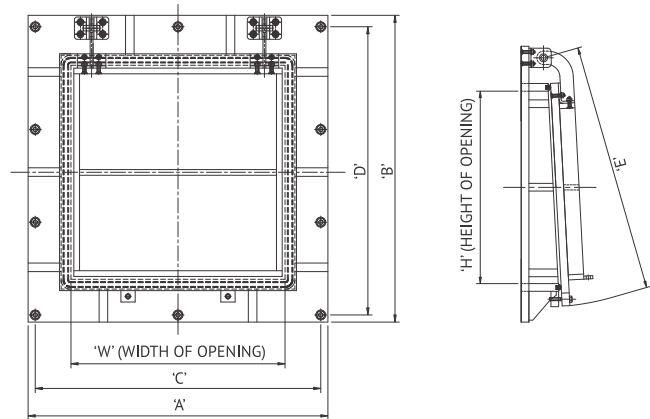


SERIES: A - 641



SERIES: A - 642



FLAP GATE DIMENSIONS (MM)			
D	A	B	C
150	405	215	330
200	455	240	380
250	510	265	430
300	560	320	485
350	635	330	610
450	710	395	685
533	785	420	760
600	865	485	840
750	1015	635	990
900	1170	760	1145
1050	1320	865	1295
1200	1475	940	1450
1350	1625	1040	1600
1500	1780	1345	1755
1800	2085	1525	2055
2100	2390	1675	2360
2400	2690	1855	2665

FLAP GATE DIMENSIONS (MM)						
W	H	A	B	C	D	E
300	300	560	650	510	600	520
400	400	660	750	610	700	620
450	450	710	805	660	750	675
533	533	785	920	735	855	800
600	600	865	980	815	955	875
750	750	1015	1135	965	1085	925
800	800	1065	1210	1015	1160	1030
900	900	1170	1310	1120	1260	1130
1000	1000	1270	1415	1220	1360	1230
1050	1050	1320	1475	1270	1440	1335
1200	1200	1475	1625	1420	1575	1435
1350	1350	1625	1780	1575	1725	1640
1500	1500	1780	1930	1725	1880	1790
1800	1800	2085	2260	2030	2210	2095
2100	2100	2390	2565	2335	2515	2400
2400	2400	2690	2870	2640	2820	2705

Rectangular sizes on request.