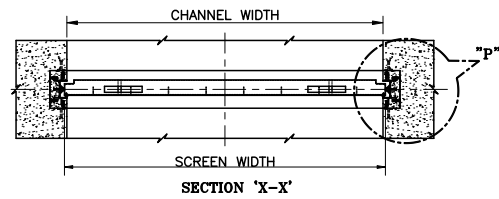
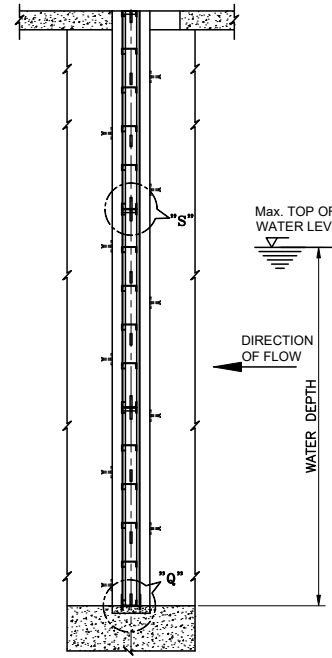


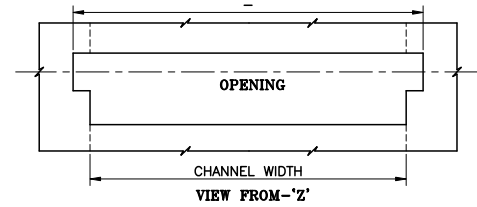
FRONT VIEW



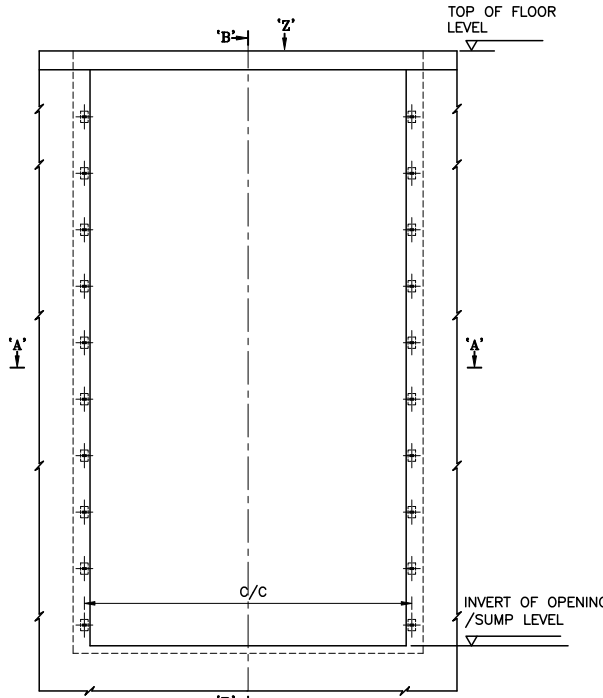
SECTION 'X-X'



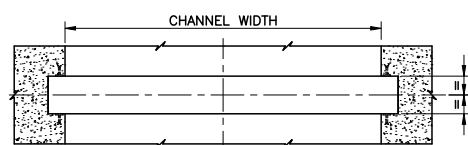
SECTION 'Y-Y'



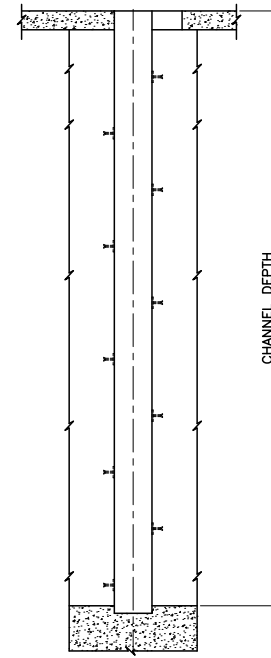
VIEW FROM 'Z'



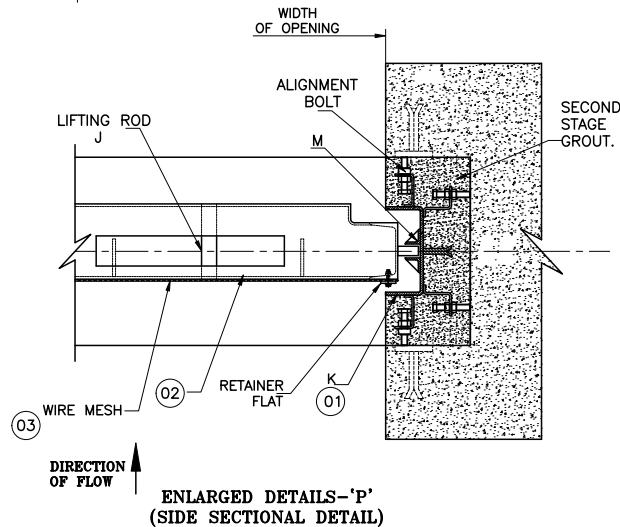
FRONT VIEW (WITH CIVIL BLOCK OUT)



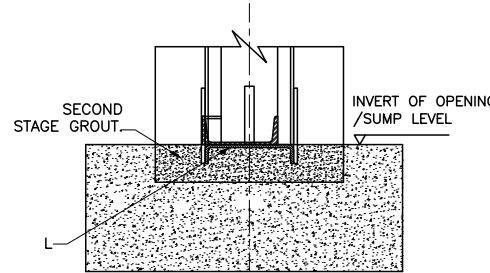
SECTION 'A-A'



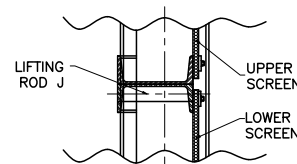
SECTION 'B-B'



ENLARGED DETAILS-'P' (SIDE SECTIONAL DETAIL)



ENLARGED DETAILS-'Q'



ENLARGED DETAILS-'S' (LIFTING ROD DETAIL)

PART LIST FOR WIRE MESH SCREEN FOR EACH SEGMENT

SR.NO.	DESCRIPTION	MATERIAL
A	HORIZONTAL TOP & BOTTOM MEMBER	-
B	VERTICAL SIDE MEMBER	-
C	HORIZONTAL MIDDLE MEMBER	-
D	VERTICAL MIDDLE MEMBER	-
E	WIRE MESH	-
F	HORIZONTAL RETAINER FLAT	-
G	VERTICAL RETAINER FLAT	-
H	GUIDE BLOCK	-
I	FASTENERS	-
J	LIFTING ROD	-

PART LIST FOR GUIDE FRAME

SR.NO.	DESCRIPTION	MATERIAL
K	LHS&RHS GUIDE FRAME	-
L	BOTTOM SUPPORT FOR GUIDE FRAME	-
M	GUIDE ANGLE	-

05	INSERT PLATE	-
04	LIFTING BEAM	-
03	WIRE MESH	-
02	MOUNTING FRAME	-
01	GUIDE FRAME	-
SR.NO.	DESCRIPTION	MATERIAL

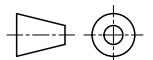
CLIENT : M/s -
PROJECT : -
QTY. : 01 No.



JASH ENGINEERING LTD.
INDORE (INDIA)

GENERAL ARRANGEMENT AND CIVIL BLOCK OUT
DETAILS FOR INSTALLATION OF
'JASH' MULTI PIECE WIRE MESH SCREEN WITH
GUIDE FRAME & LIFTING BEAM

PROJECTION



SCALE : NTS. DT.: ----

APPD ---
CHKD ---
DRN. ---

DRG.NO. **JE/SM/M/GAC/REF.** REV. **RO**

- NOTE:-
1. ALL DIMENSIONS ARE IN MILLIMETERS UNLESS OTHERWISE SPECIFIED .
 2. ALLOWABLE DEVIATION FOR DIMENSIONS WITHOUT SPECIFIED TOLERANCES TO BE AS PER IS : 2102.
 3. ALL FASTENERS (NUT, BOLTS AND WASHERS) FOR SCREEN ASSEMBLY TO BE OF ----.
 4. HOISTING CAPACITY FOR SCREEN - Kgs..

THIS REFERENCE DRAWING IS NOT SPECIFIC TO THE REQUIREMENT OF THE CLIENT AND IS SUBMITTED TO GIVE A GENERAL IDEA OF PRODUCT TO BE GIVEN. A DETAILED DRAWING SPECIFIC TO THE CLIENT REQUIREMENT WILL BE SUBMITTED LATER ON UPON RECEIPT OF ORDER. HENCE DESIGN & DIMENSION IS FOR GENERAL REFERENCE ONLY AND SUBJECT TO CHANGE.

REV.	REVISIONS	DATE	REV.BY	APPD.BY

REVISION TABLE