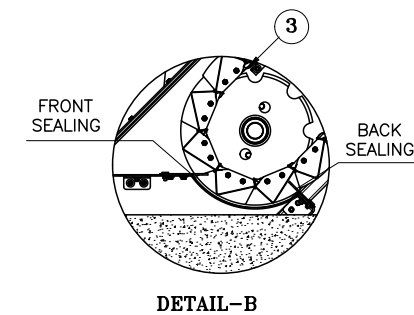
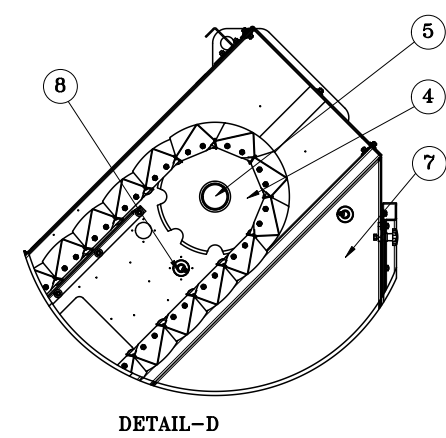
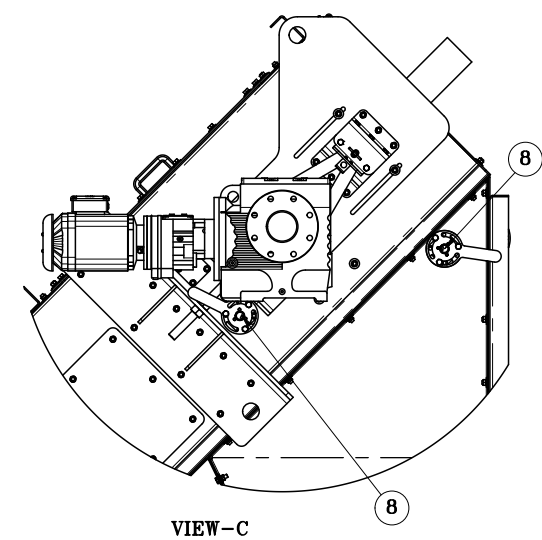


**DETAILS OF CONTROL PANEL**  
 CONSTRUCTION – MADE OF 2 MM THICK CRCA SHEET  
 POWDER COATED WITH SIEMENS GRAY  
 SHADE OUTSIDE & WHITE SHADE INSIDE.  
 PROTECTION – IP 65  
 SIZE & CIRCUITRY – AS PER JASH STANDARD  
 QTY – 1 NO.

ABBR.	DESCRIPTION	DIMENSION
CD	CHANNEL DEPTH	---mm.
CW	CHANNEL WIDTH	---mm.
WD	WATER DEPTH	---mm.
DH	DISCHARGE HEIGHT	---mm.
OW	OUTSIDE SCREEN WIDTH	---mm.
SW	SCREEN WIDTH	---mm.
IW	INSIDE SCREEN WIDTH	---mm.
SL	OVERALL SCREEN LENGTH	---mm.
HL	PERFORATED HOLES	---mm.



12	ALL FASTENERS	STAINLESS STEEL
11	SIDE SEALING	EPDM RUBBER
10	DEWATERING TUBE-OD156MM	STAINLESS STEEL
09	PIVOTING BRACKET	STAINLESS STEEL
08	SPRAYER PIPE-OD26.9MM	STAINLESS STEEL
07	FRAME	STAINLESS STEEL
06	DRIVE UNIT #	SEW EURODRIVE
05	DRIVE SHAFT	STAINLESS STEEL
04	SPROCKET	STAINLESS STEEL
03	DRIVE CHAIN	STAINLESS STEEL
02	CHAIN GUIDE	STAINLESS STEEL
01	PERFORATED STEP	STAINLESS STEEL

THIS REFERENCE DRAWING IS NOT SPECIFIC TO THE REQUIREMENT OF THE CLIENT AND IS SUBMITTED TO GIVE A GENERAL IDEA OF PRODUCT TO BE GIVEN. A DETAILED DRAWING SPECIFIC TO THE CLIENT REQUIREMENT WILL BE SUBMITTED LATER ON UPON RECEIPT OF ORDER. HENCE DESIGN & DIMENSION IS FOR GENERAL REFERENCE ONLY AND SUBJECT TO CHANGE.

ALL DIMENSIONS ARE IN MILLIMETERS UNLESS OTHERWISE SPECIFIED.

- NOTES :-**
1. A CLEARANCE OF AT-LEAST 1000mm BE KEPT IN FRONT AND BACK OF SCREEN FOR EASE IN INSTALLATION AND OPERATION
  2. NO CIVIL STRUCTURE BE MADE ABOVE THE TOP OF CHANNEL UNTIL SCREENS ARE ERECTED. OTHERWISE IT MAY ACT AS AN HINDERANCE.
  3. CABLES, COLLECTION BIN, LEVEL SENSOR & SCREW CONVEYOR SHALL NOT BE IN JASH SCOPE OF SUPPLY AND TO BE ARRANGED BY OTHERS.

Sr. No.	DESCRIPTION	MATERIAL
CLIENT	--	
PROJECT	--	
QTY. NO.	--	
<b>JASH</b>		
<b>JASH ENGINEERING LIMITED</b> INDORE (INDIA)		
Title		PROJECTION
GENERAL ARRANGEMENT DRAWING OF "MULTI-RAKE"-DEEP WATER SCREEN		SCALE NTS Dt.: ----
APPD. ---		DWG. SUBMITTED IN PDF FORMAT
CHKD. ---		
DRWN. ---		DRG. NO. REV.
JE/SCR/GAC/MR/REF-00 R0		

REV.	DESCRIPTION	REV. BY	Date
RO	SUBMITTED FOR APPROVAL.	---	---

REVISION TABLE